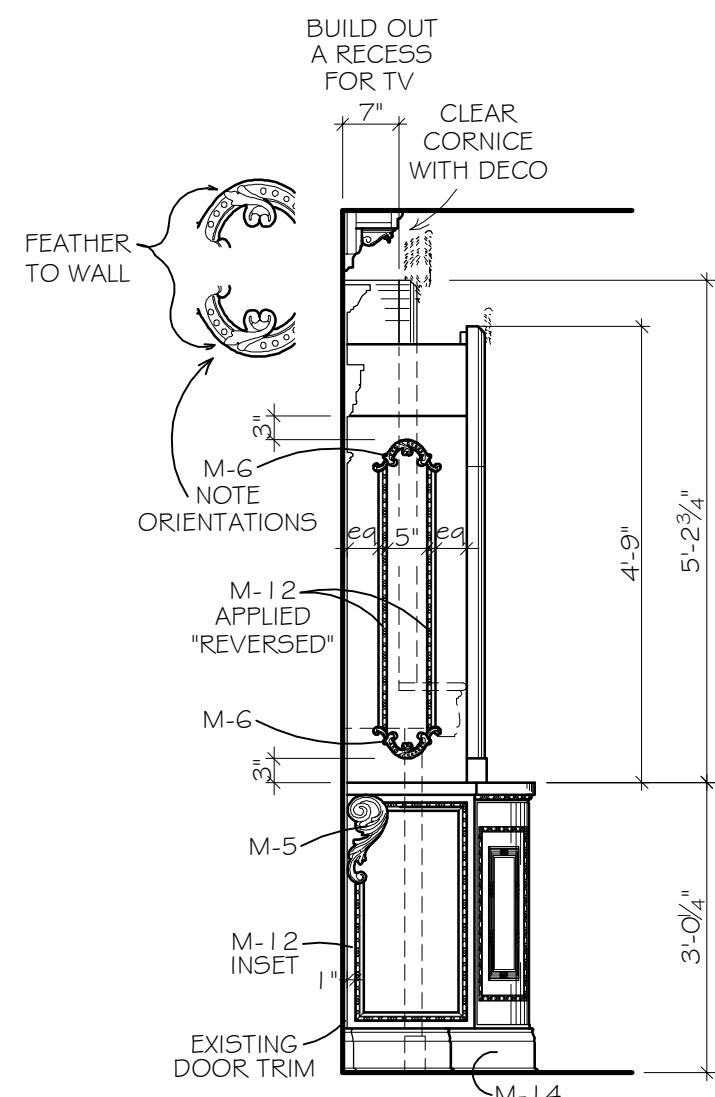


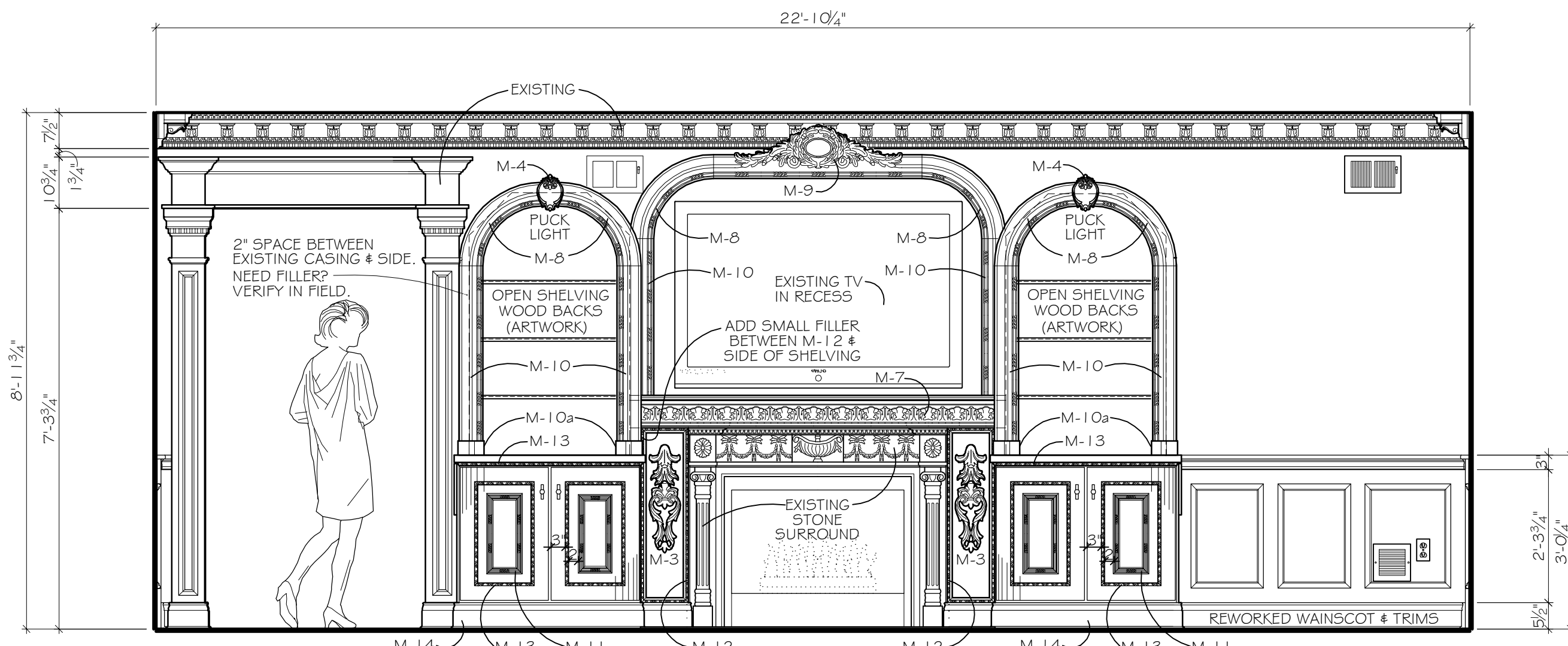
SECTION PLAN "X"

1/2" = 1'-0" ~ FAMILY ROOM
SECTION IS AT HEIGHT OF CURVED TOP OF TV WALL
BASIC STRUCTURE CONCEPT



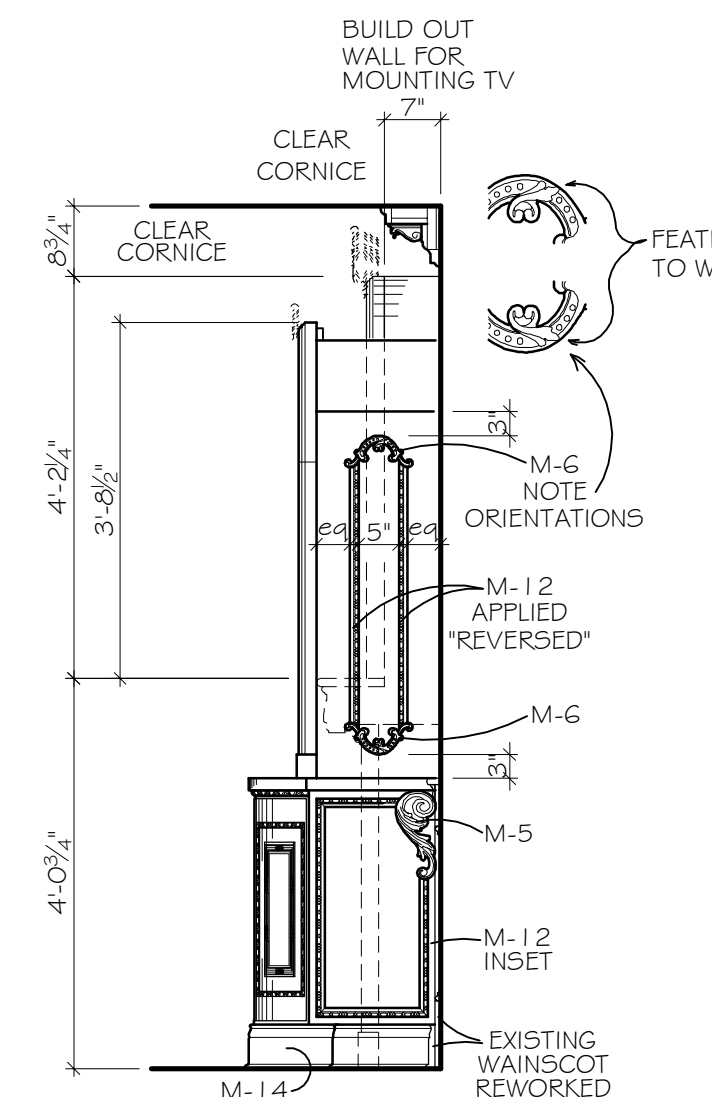
E LEFT SIDE "FULL"

1/2" = 1'-0" ~ FAMILY ROOM
FULL DETAIL ELEVATION



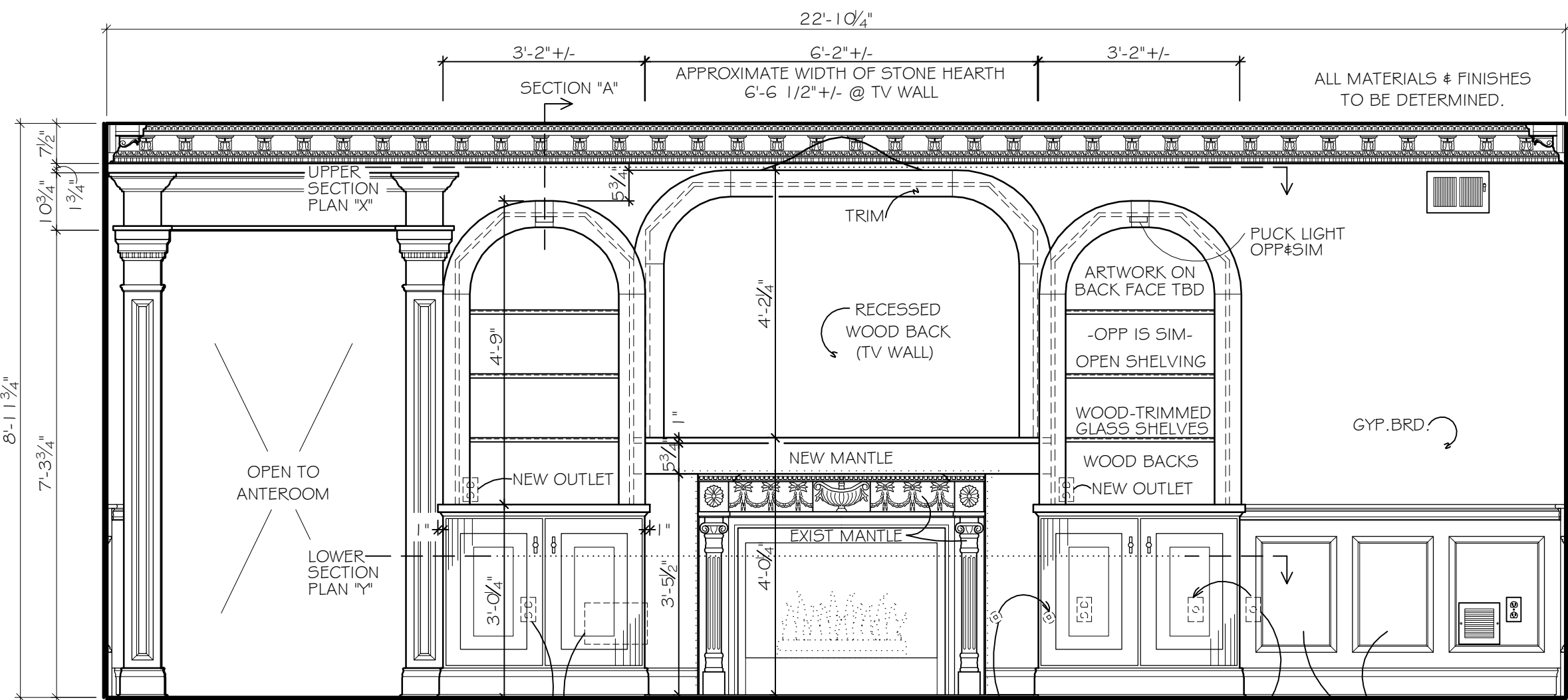
ELEVATION "D" FULL

1/2" = 1'-0" ~ FAMILY ROOM
FULL DETAIL VIEW PROPOSED ELEVATION



F RIGHT SIDE "FULL"

1/2" = 1'-0" ~ FAMILY ROOM
FULL DETAIL ELEVATION



ELEVATION "D" BASIC

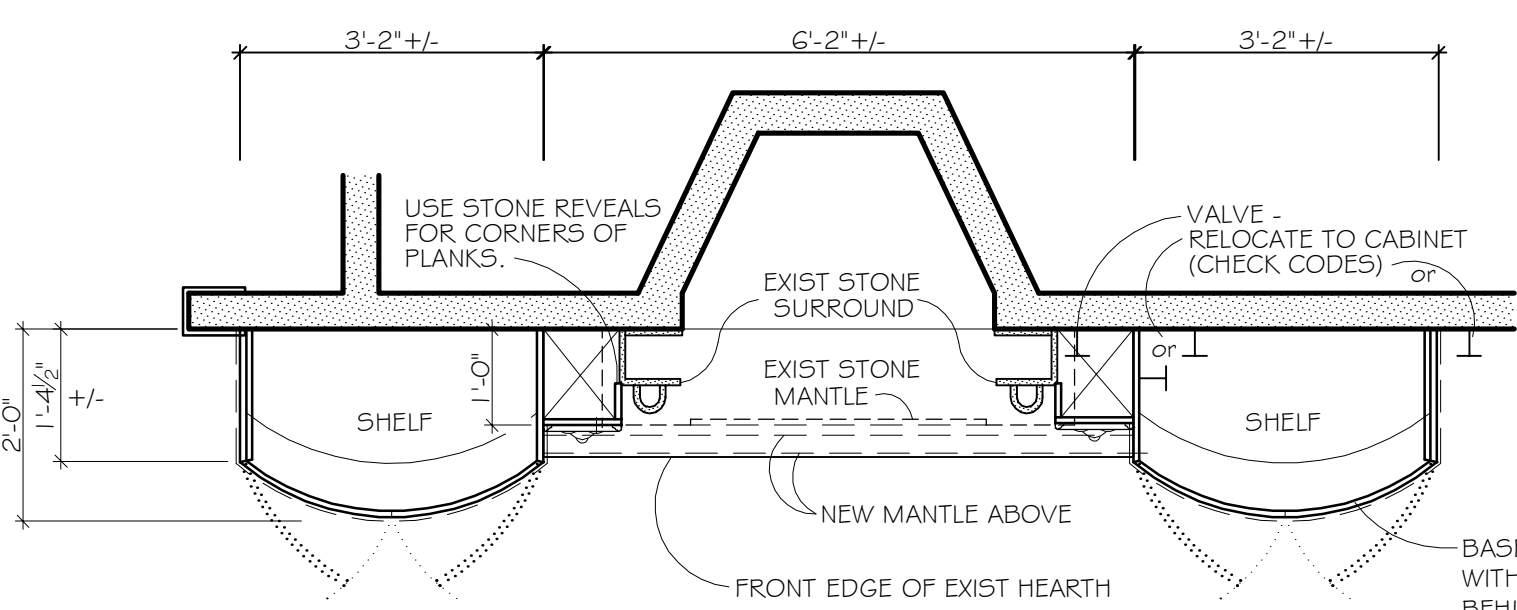
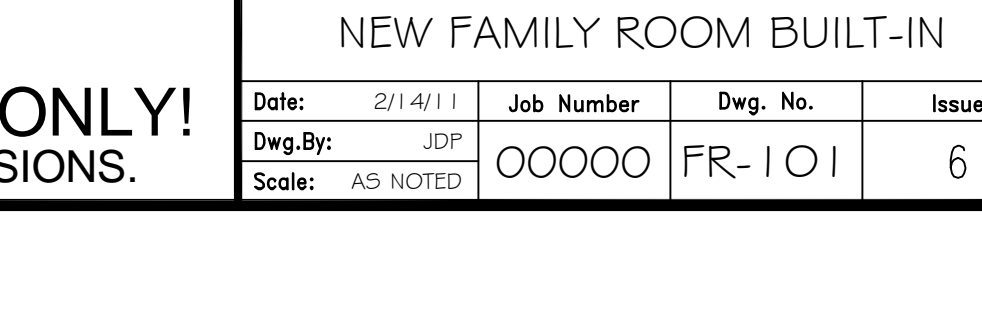
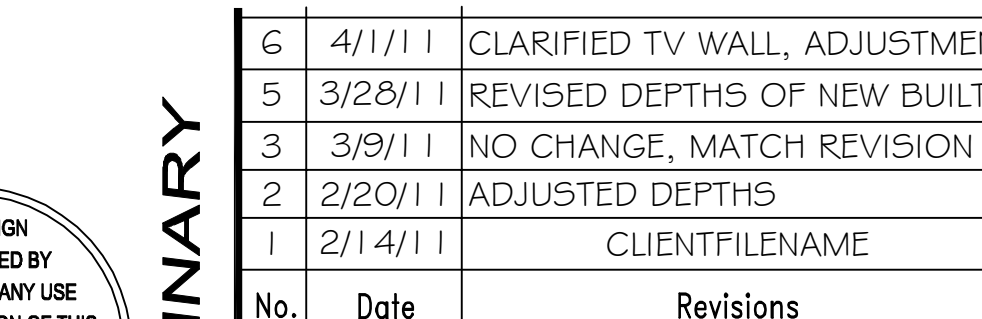
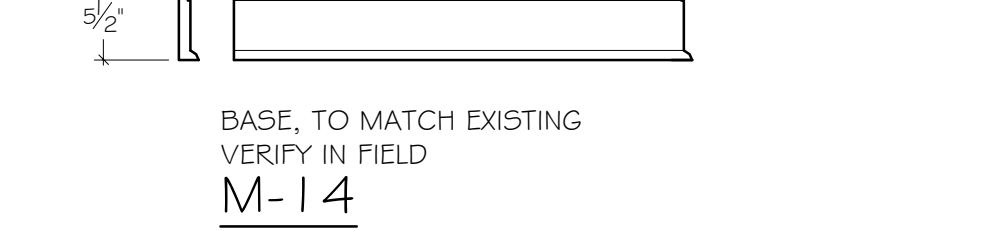
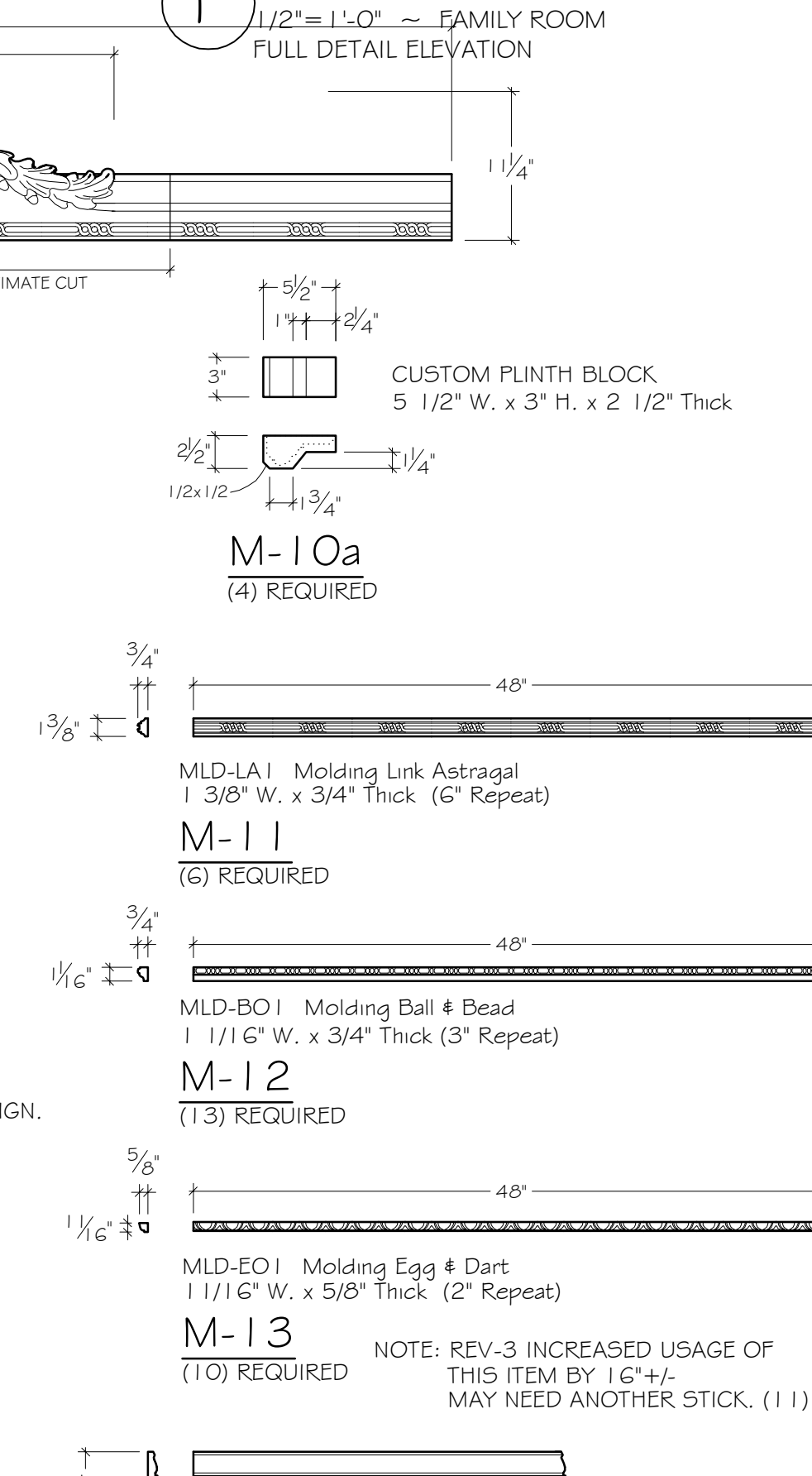
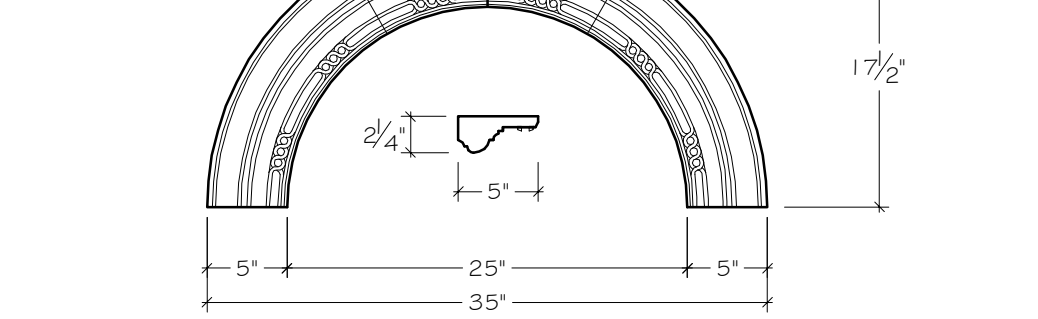
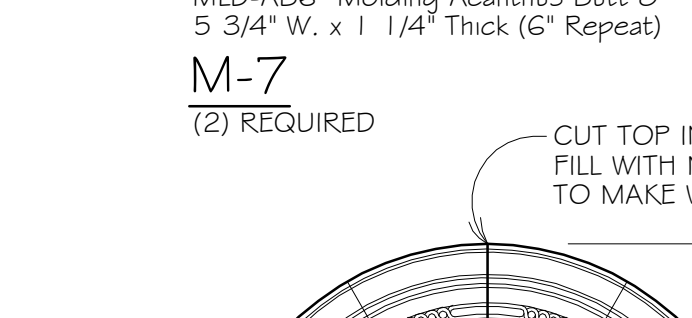
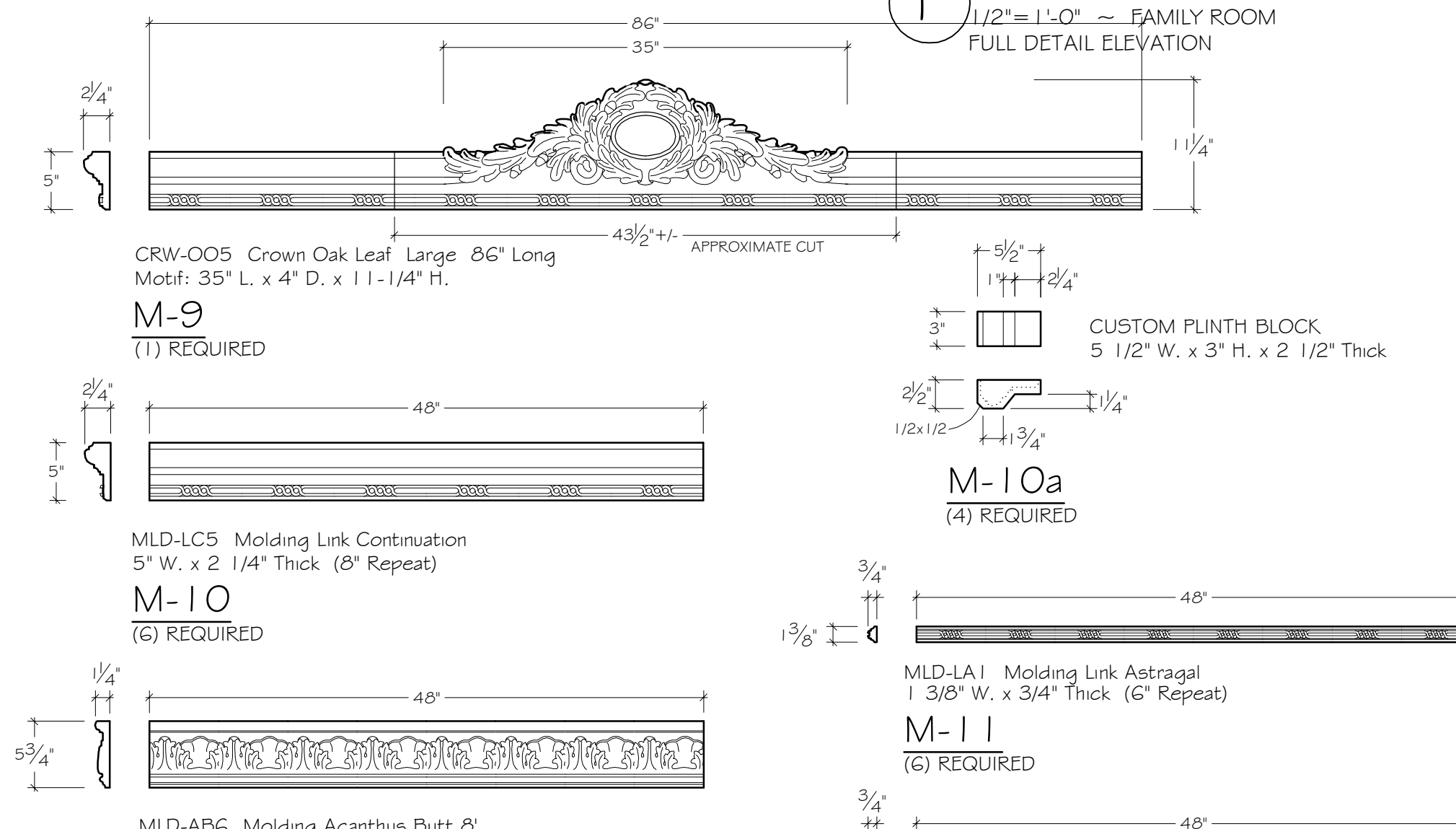
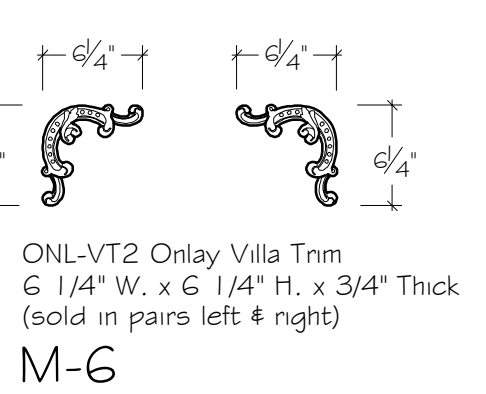
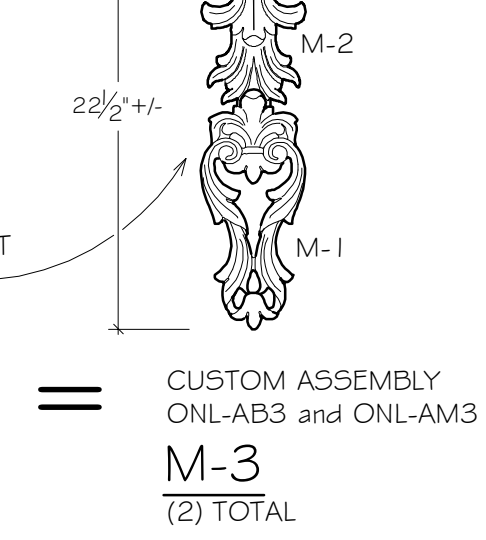
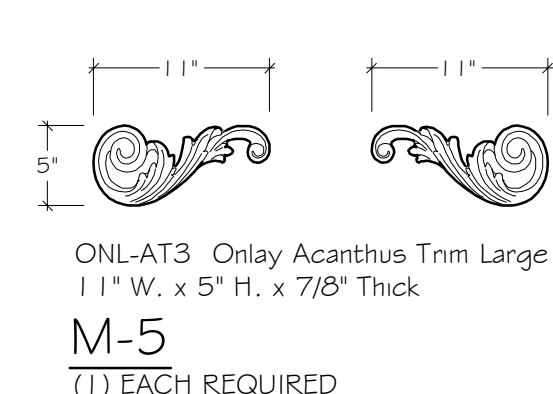
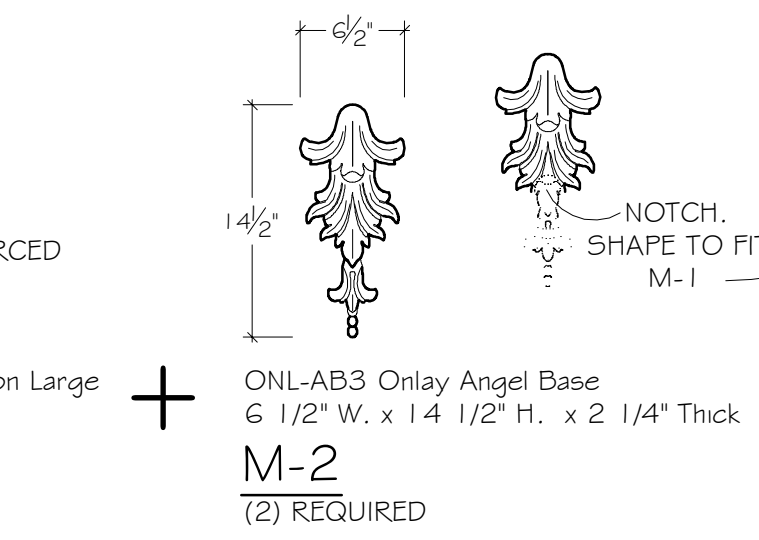
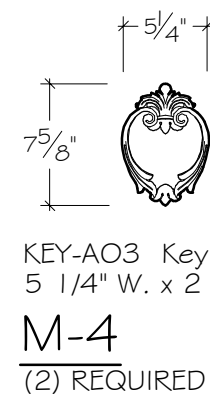
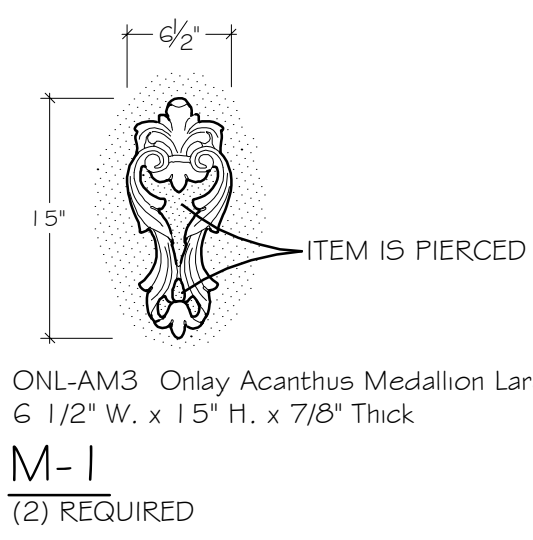
1/2" = 1'-0" ~ FAMILY ROOM
BASIC STRUCTURE CONCEPT

EXISTING: CORNICHE CROWN, DOOR WAY AND WAINSCOT, STONE SURROUND & FIREPLACE.
NEW: TV WALL, (2) SIDE CABINTRY AND EXPANDED SURROUND.
RELOCATE CABLE TO INTERIOR OF CABINET
RELOCATE GAS VALVE TO INTERIOR OF CABINET MAY NEED TO BE ON WALL TO THE RIGHT OF CAB. MAY NEED TO BE BELOW M-3 (NEED BLDG CODE)
RELOCATE OUTLETS, TO REMAIN IN CAB (2) PLACES
DISCUSS HVAC
TWO PANELS SHOWN RESIZED
GYP. BRD.
ARTWORK ON BACK FACE TBD
WOOD TRIMMED GLASS SHELVES
WOOD BACKS
NEW OUTLET
NEW MANTLE
EXIST MANTLE
NEW OUTLET
TRIM
RECESSED WOOD BACK (TV WALL)
PUCK LIGHT OFF 4 SIM
APPROXIMATE WIDTH OF STONE HEARTH 6'-6" 1/2" +/- @ TV WALL
ALL MATERIALS & FINISHES TO BE DETERMINED.
OPEN TO ANTEROOM
UPPER SECTION PLAN "X"
LOWER SECTION PLAN "Y"

NOTE: SPEAKERS TO BE IN UPPER CABINETS. PROVIDE CABLING ACCESS AS REQ. DISCUSS OTHER POSSIBLE MULTIMEDIA CONCERNS.

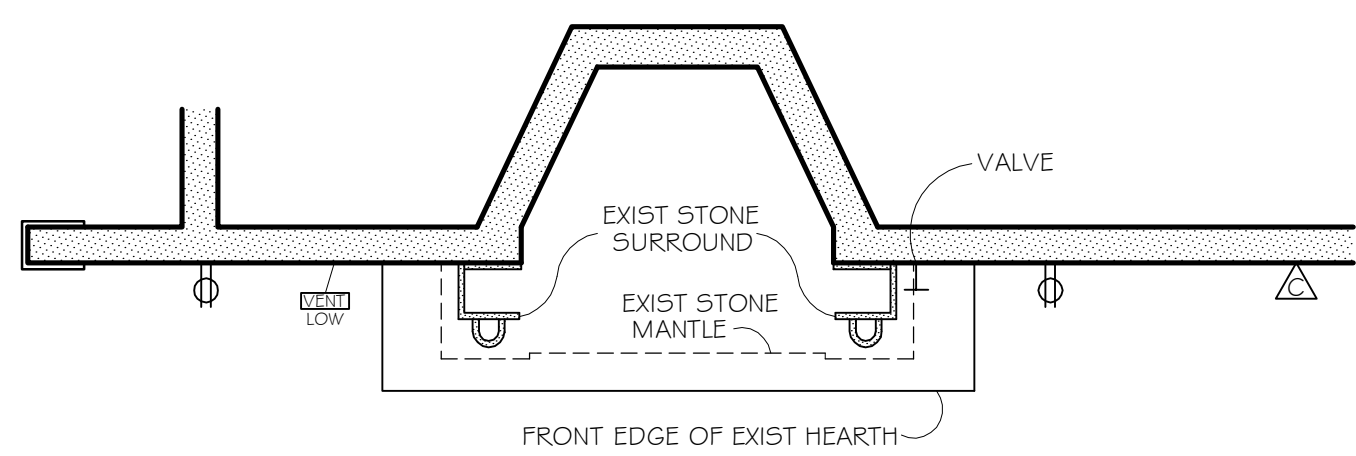
Z MOLDINGS SHOWN

Enkeboll Designs 1996-2011 ©
1" = 1'-0" ~ FAMILY ROOM
REFER TO FULL DETAIL ELEVATION "D"
ANY SUBSTITUTIONS REQUIRE DESIGNER APPROVAL
JONATHAN 973.965.9628



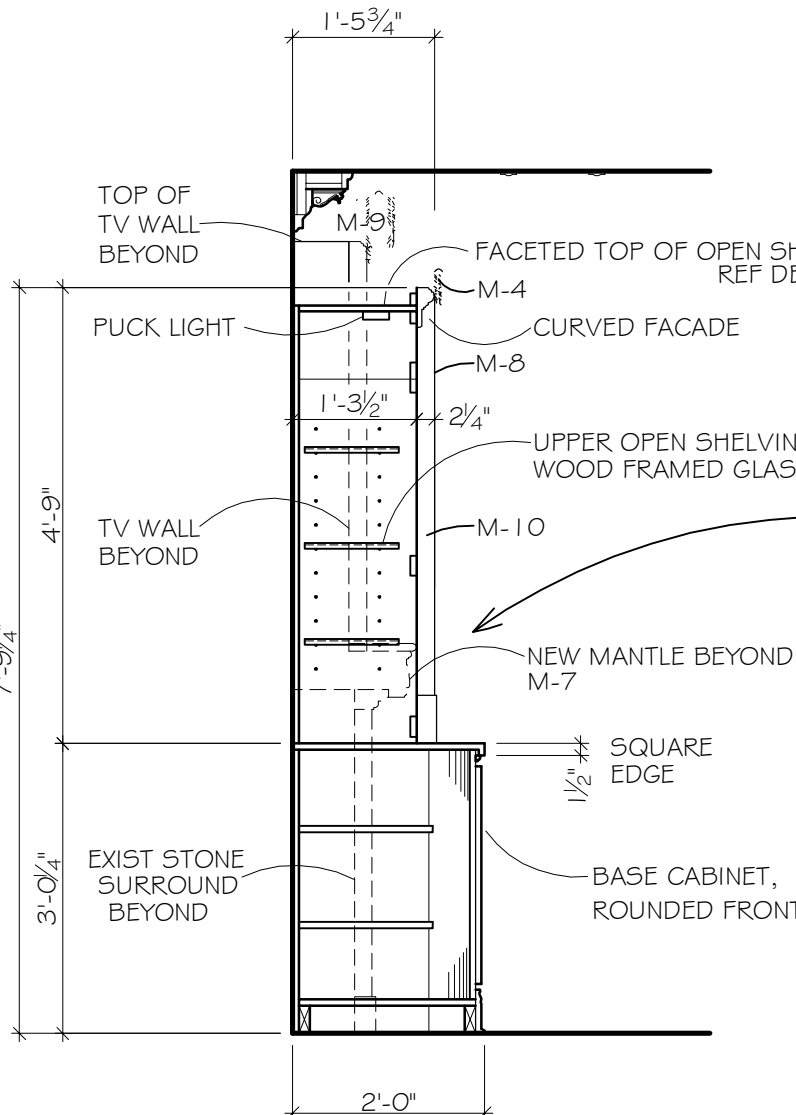
SECTION PLAN "Y"

1/2" = 1'-0" ~ FAMILY ROOM
SECTION IS AT HEIGHT OF MIDDLE OF BASE CABINET
BASIC STRUCTURE CONCEPT



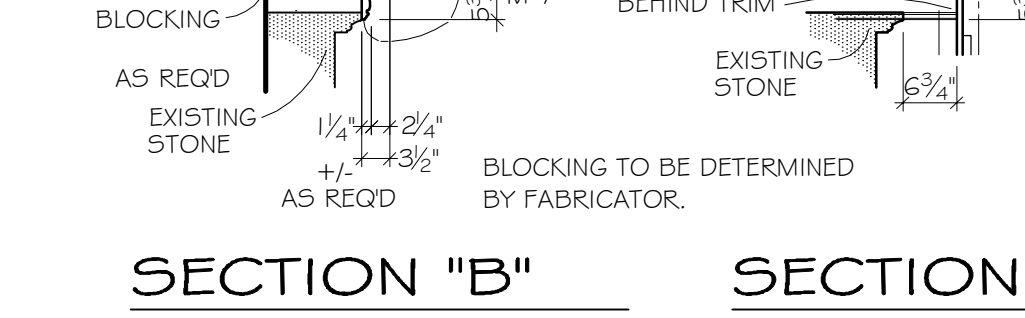
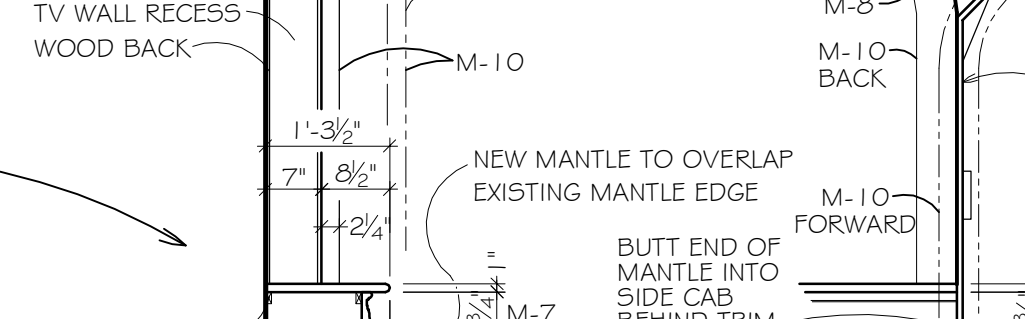
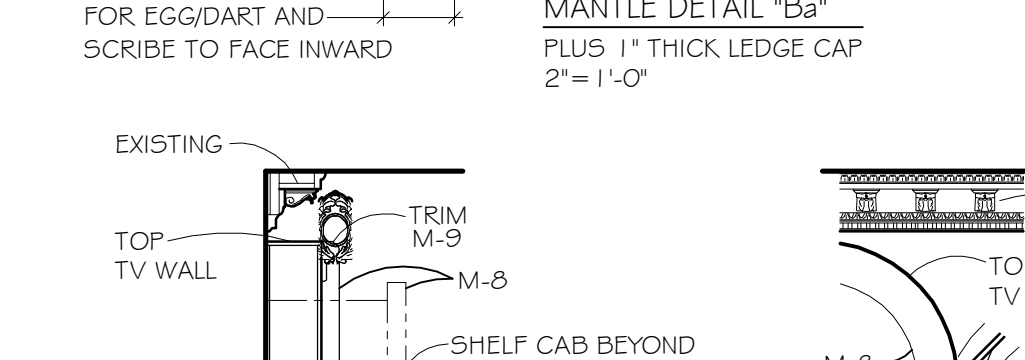
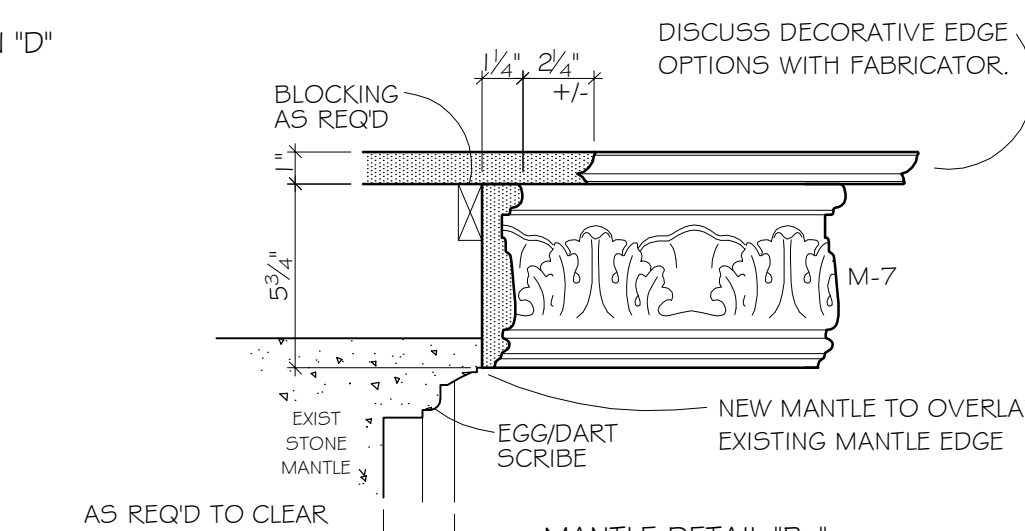
EXISTING PLAN "Y"

1/2" = 1'-0" ~ FAMILY ROOM



SECTION "A"

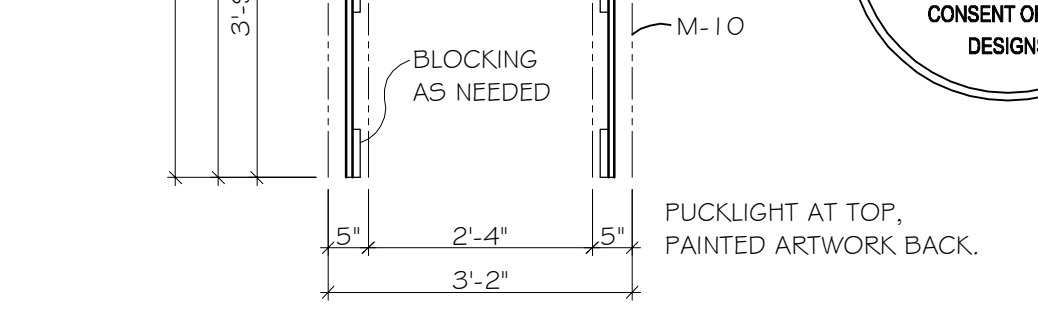
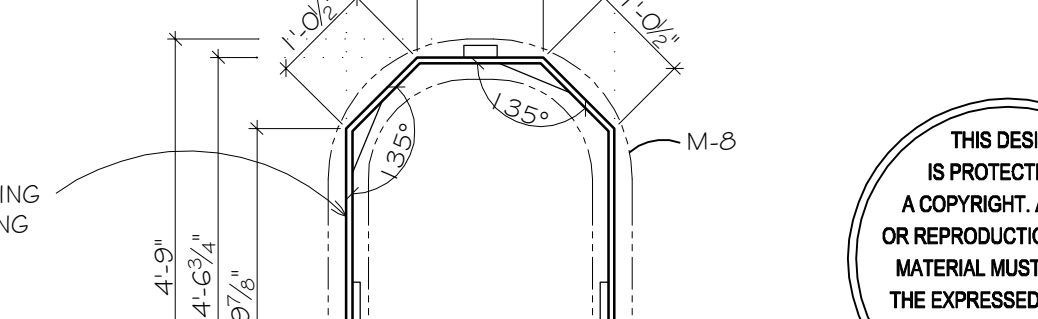
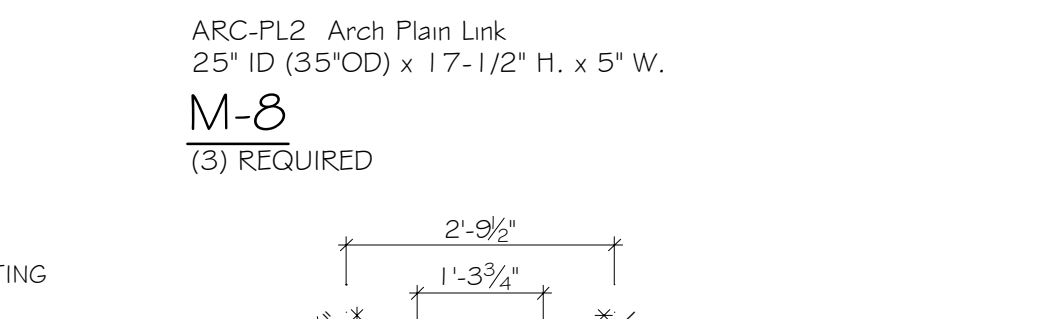
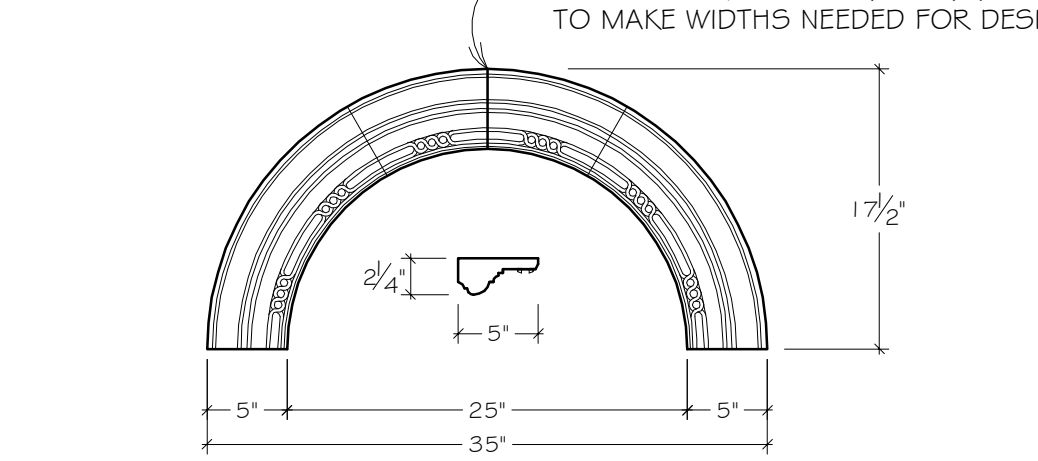
1/2" = 1'-0" ~ FAMILY ROOM
BASIC STRUCTURE CONCEPT



SECTION "B"
1/2" = 1'-0" ~ FAMILY ROOM
MANTLE ASSEMBLY, SIDE VIEW
BASIC STRUCTURE CONCEPT

SECTION "C"
1/2" = 1'-0" ~ FAMILY ROOM
MANTLE ASSEMBLY, FRONT VIEW
LEFT AND RIGHT MANTLE ENDS
BASIC STRUCTURE CONCEPT

SECTION "D"
1/2" = 1'-0" ~ FAMILY ROOM
FLAT BODY BEHIND CURVED FACADES
SIDES SHOWN, MIDDLE IS SIMILAR AT CHAMFER
BASIC STRUCTURE CONCEPT



DETAIL "D"
1/2" = 1'-0" ~ FAMILY ROOM
FLAT BODY BEHIND CURVED FACADES
SIDES SHOWN, MIDDLE IS SIMILAR AT CHAMFER
BASIC STRUCTURE CONCEPT

FOR CONCEPT PURPOSES ONLY!
CONTRACTORS TO VERIFY ALL DIMENSIONS.

PRELIMINARY

THIS DESIGN IS PROTECTED BY A COPYRIGHT. ANY USE OR REPRODUCTION OF THIS MATERIAL MUST BE WITH THE EXPRESSED WRITTEN CONSENT OF JDW DESIGNS

No.	Date	Revisions
6	4/11/11	CLARIFIED TV WALL, ADJUSTMENTS
5	3/28/11	REVISED DEPTHS OF NEW BUILT-IN
3	3/9/11	NO CHANGE, MATCH REVISION SET
2	2/20/11	ADJUSTED DEPTHS
1	2/14/11	CLIENTFILENAME

J.D.W. DESIGNS
Suite 8-A
45 Church Street
Montclair, NJ 07042
P: 973.783.7701 ~ F: 973.783.7702

PROJECT
CLIENT RESIDENCE
CLIENTVILLE, NEW JERSEY

TITLE
ELEVATIONS & DETAILS
NEW FAMILY ROOM BUILT-IN

Date:	2/14/11	Job Number:	00000	Dwg. No.:	FR-101	Issue:	6
Dwg. By:	JDP	Scale:	AS NOTED				