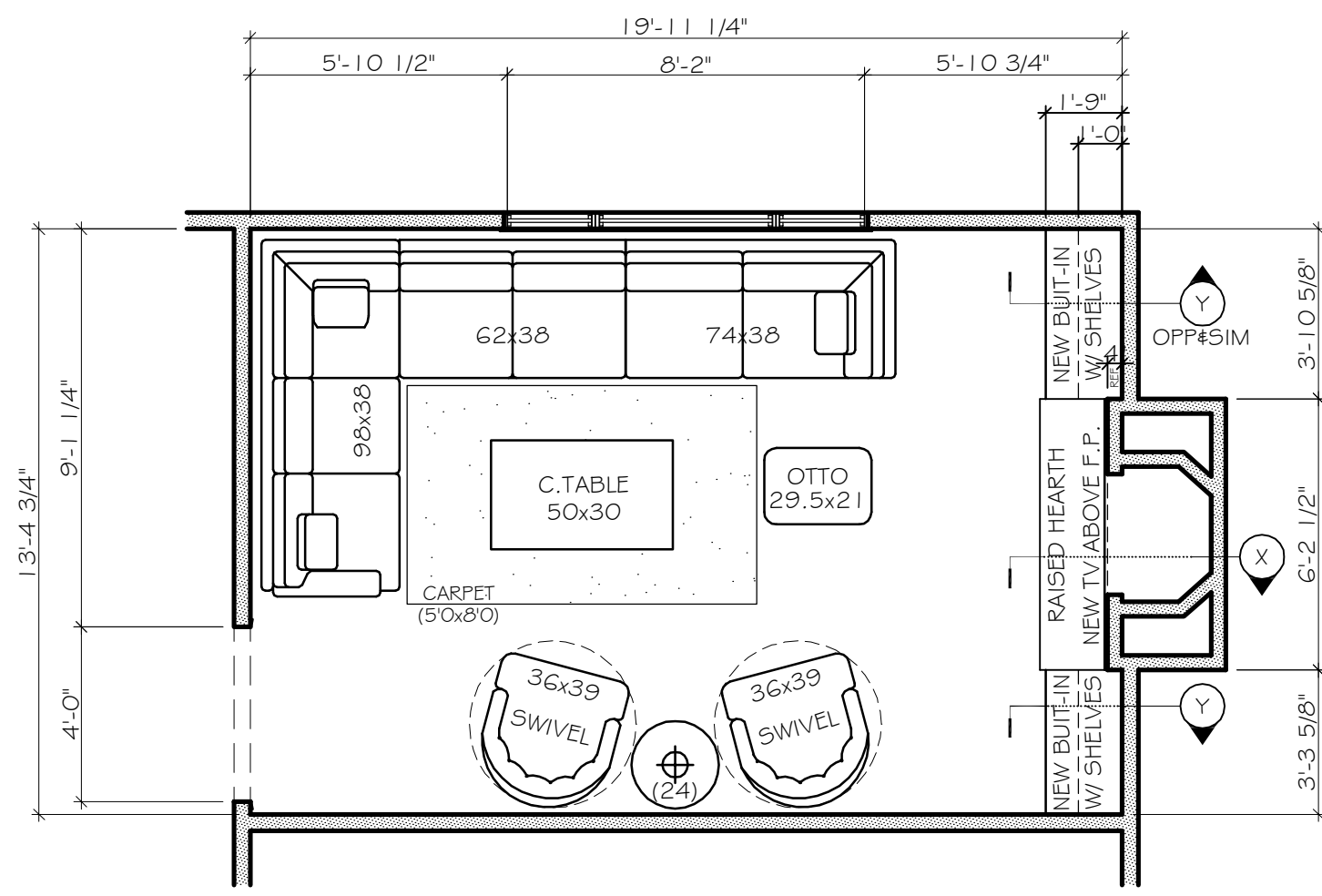
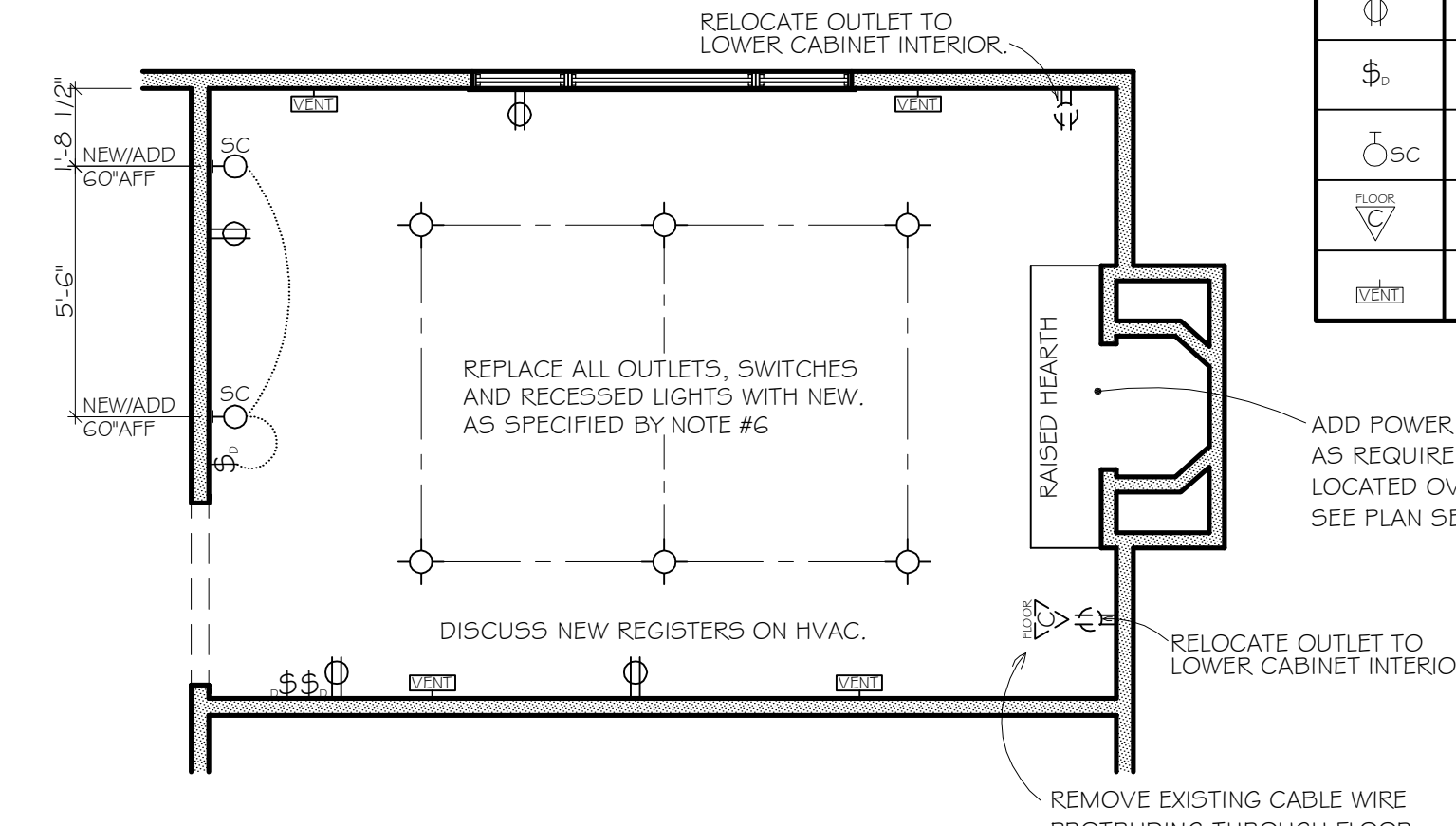


**FLOORING PLAN**  
1/4" = 1'-0" ~ MAIN LEVEL FAMILY ROOM



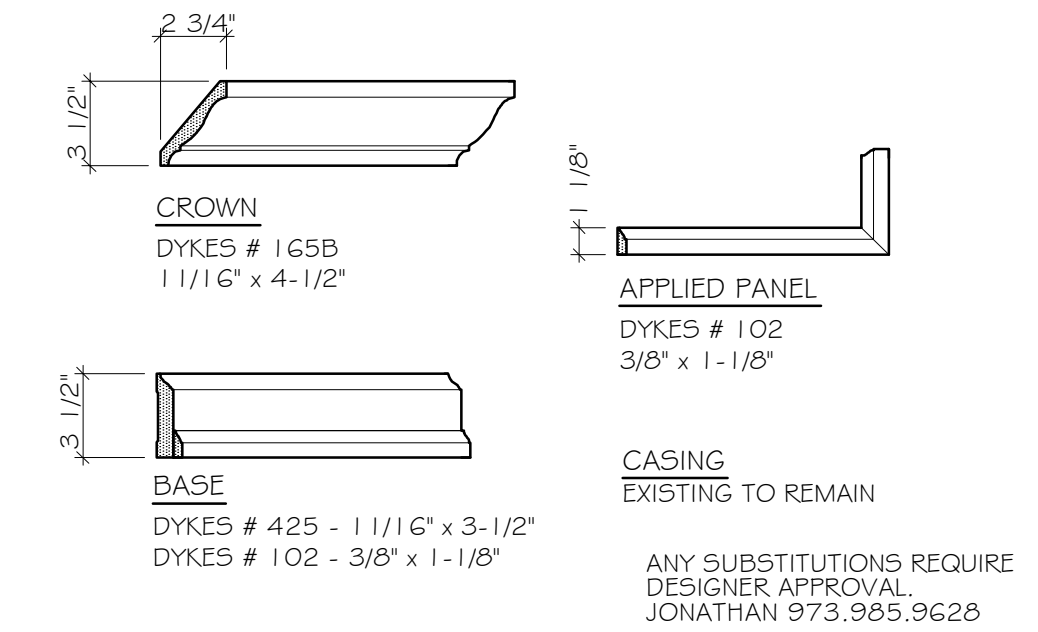
**FINISHED PLAN**  
1/4" = 1'-0" ~ MAIN LEVEL FAMILY ROOM



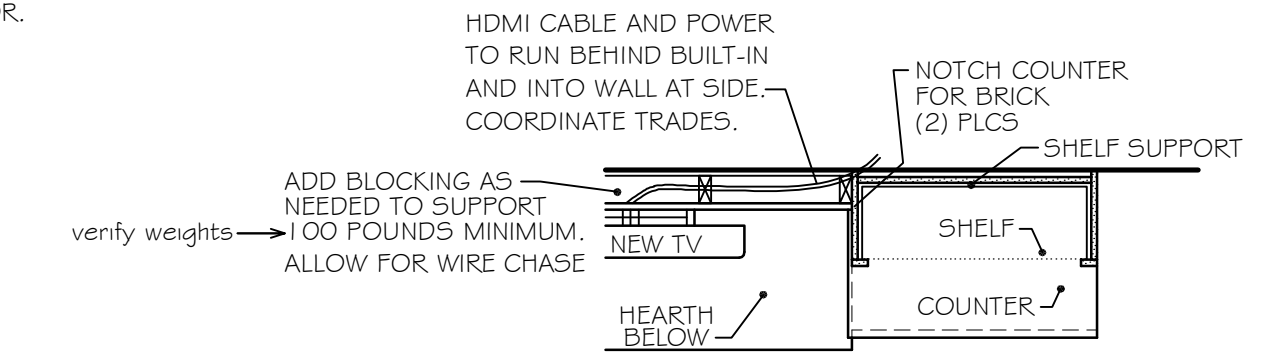
**UTILITY PLAN**  
1/4" = 1'-0" ~ MAIN LEVEL FAMILY ROOM

**ELECTRICAL KEY**

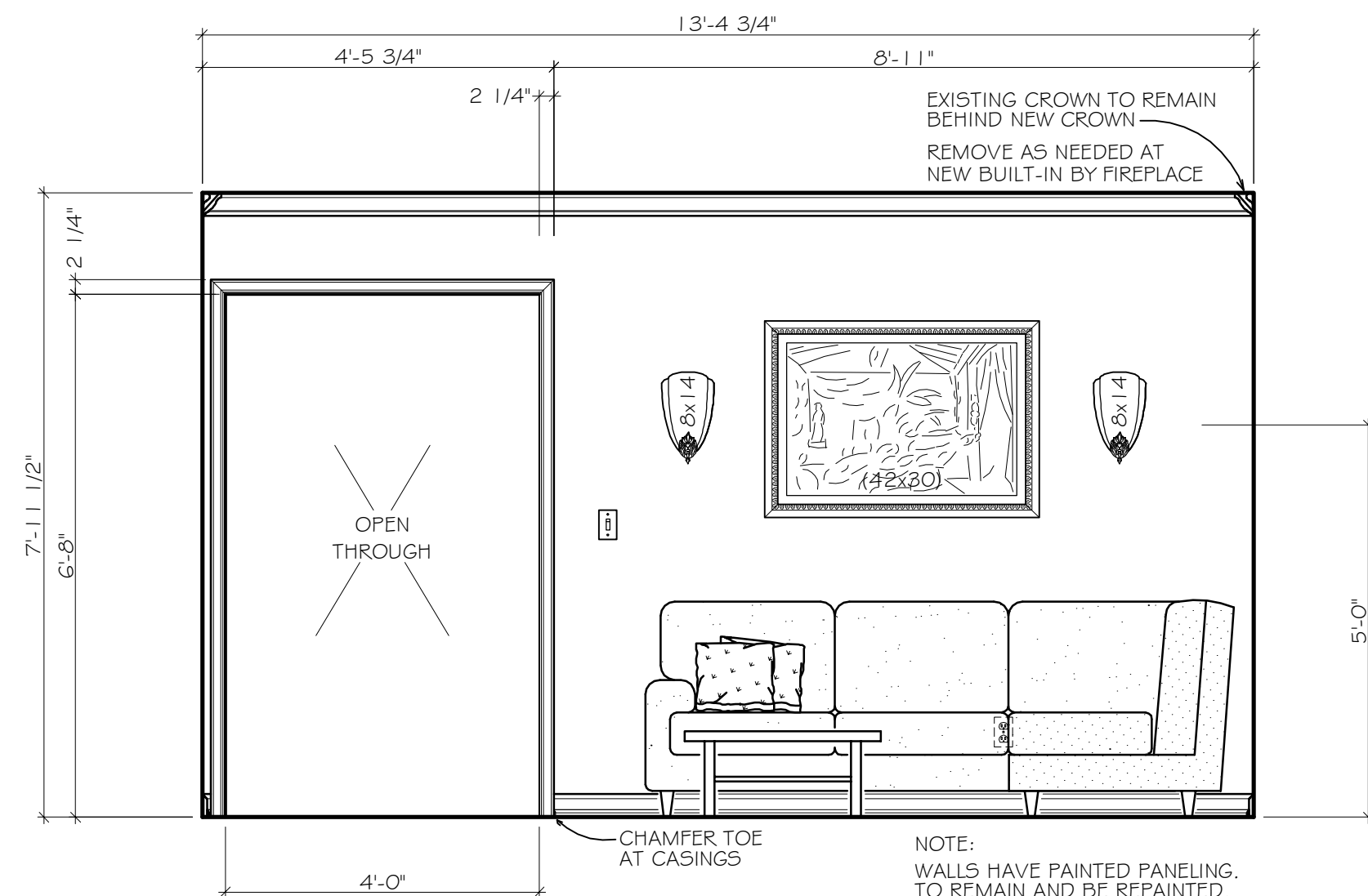
⬡	RECESSED DOWN LIGHT
⊕	ELECTRICAL OUTLET
⊕	LIGHT SWITCH, (DIMMER)
⊕	WALL SCONCE
⊕	CABLE TV WIRE, THROUGH FLOOR, 3" OFF WALL
⊕	HVAC WALL REGISTER (VENT) NEAR FLOOR



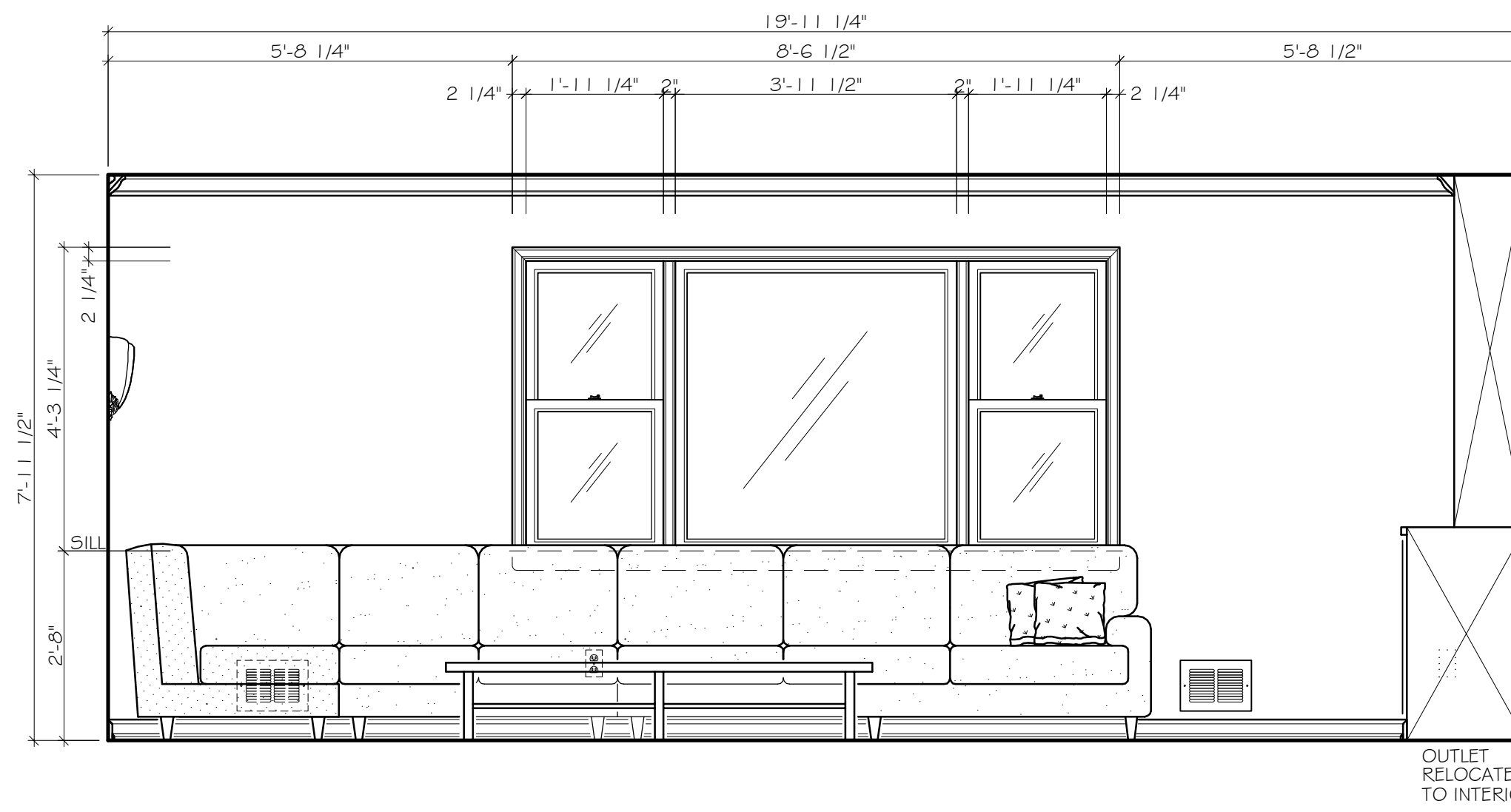
**NEW TRIMS**  
1-1/2" = 1'-0" ~ MAIN LEVEL FAMILY ROOM



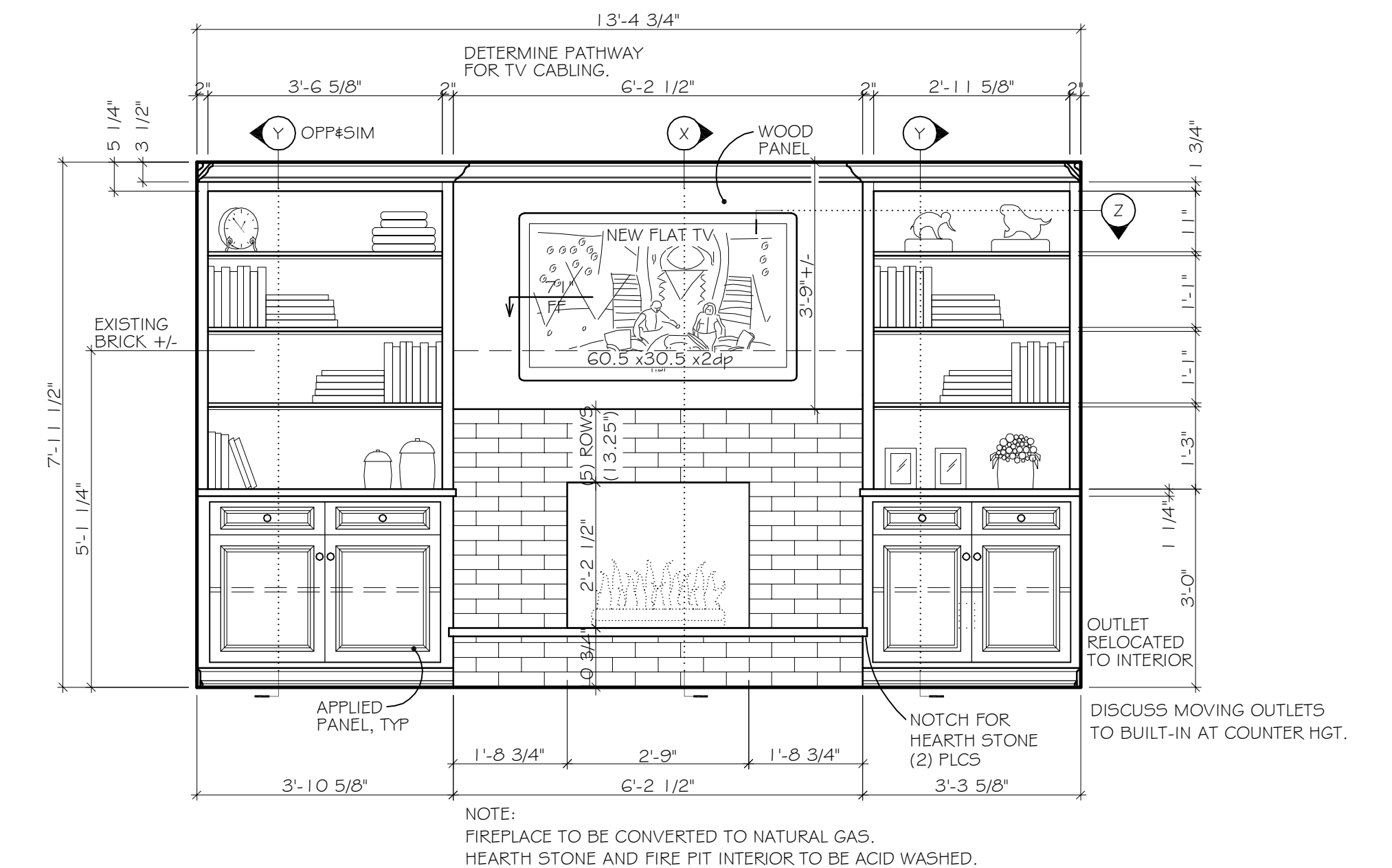
**PLAN SECTION "Z"**  
1/2" = 1'-0" ~ FAMILY ROOM BUILT-IN



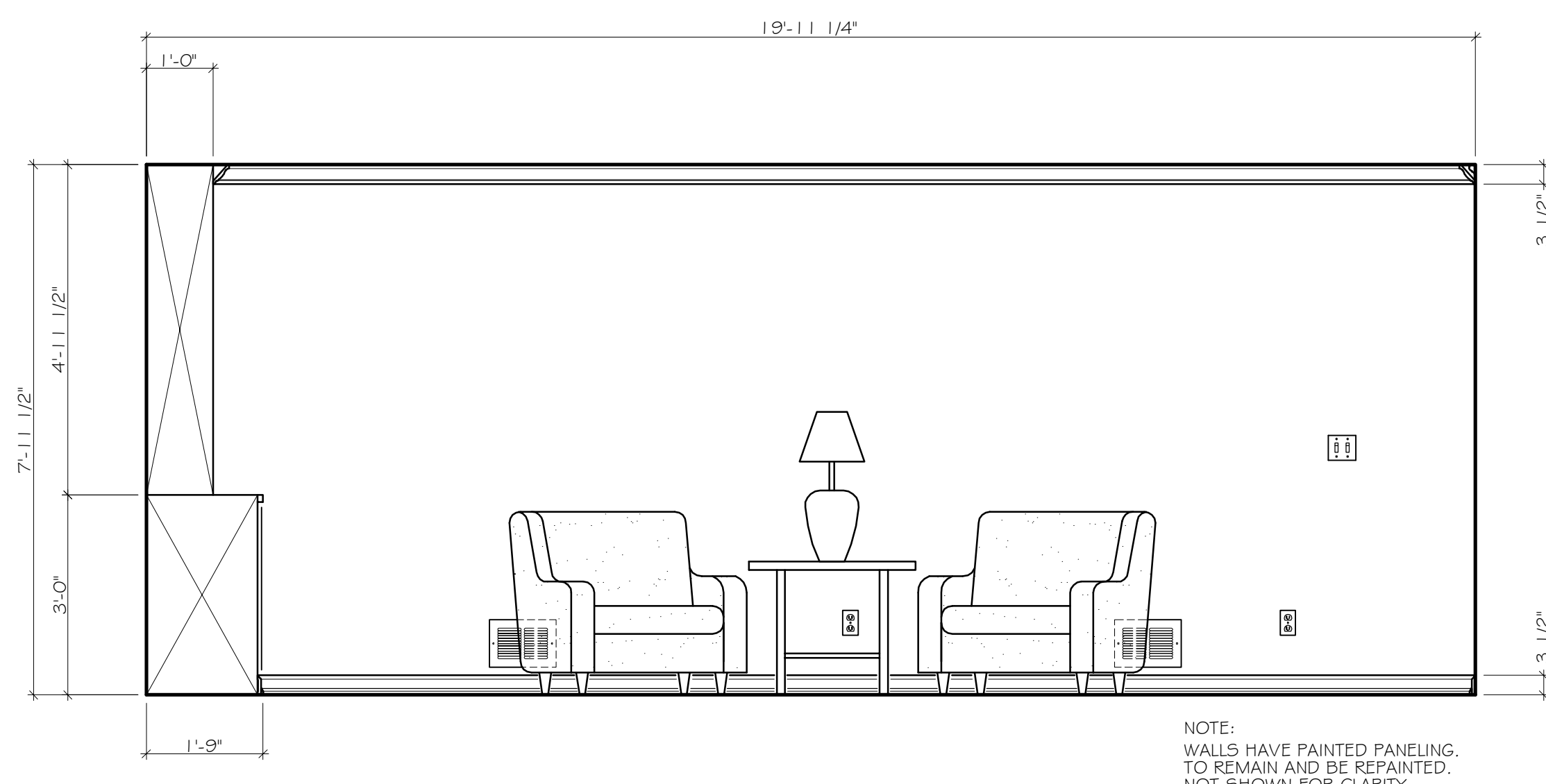
**ELEVATION "A"**  
1/2" = 1'-0" ~ MAIN LEVEL FAMILY ROOM



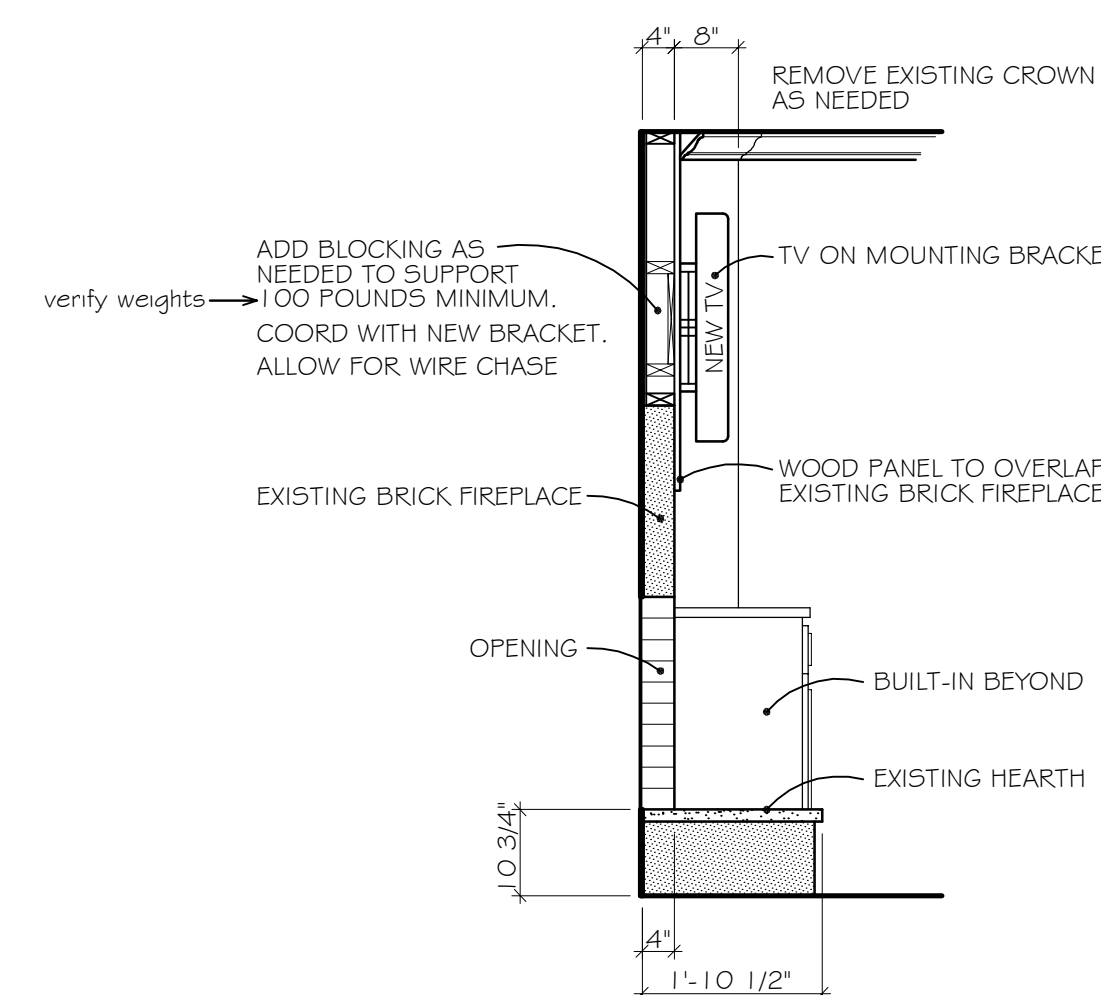
**ELEVATION "B"**  
1/2" = 1'-0" ~ MAIN LEVEL FAMILY ROOM



**ELEVATION "C"**  
1/2" = 1'-0" ~ MAIN LEVEL FAMILY ROOM



**ELEVATION "D"**  
1/2" = 1'-0" ~ MAIN LEVEL FAMILY ROOM



**SECTION "X"**  
1/2" = 1'-0" ~ FAMILY ROOM BUILT-IN



**SECTION "Y"**  
1/2" = 1'-0" ~ FAMILY ROOM BUILT-IN

NOTES:  
(NOT NECESSARILY IN THIS ORDER.)

- FIREPLACE TO BE CONVERTED TO NATURAL GAS. HEARTH STONE AND FIRE PIT INTERIOR TO BE ACID WASHED.
- REMOVE CARPET & BASE. ADD NEW WIDE PLANK WOOD FLOORING. MATERIALS AND FINISH TO BE SELECTED.
- EXISTING WALL PANELING TO REMAIN. TO BE REPAINTED, FINISHING TO BE SELECTED.
- NEW CROWN AND BASE AS SPECIFIED. ADD NEW CROWN OVER EXISTING CROWN. REMOVE EXISTING BASE AND ADD NEW. EXISTING CASING TO REMAIN. FINISHING TO BE SELECTED.
- ADD NEW BUILT-IN UNIT AS SHOWN. REMOVE EXISTING MANTLE. MATERIALS AND FINISH TO BE SELECTED.
- ADD HDMI CABLE AND POWER AS NEEDED FOR FLAT TV. COORDINATE CABLING PATHWAY REQUIREMENTS WITH MILLWORK. REMOVE (1) CABLE WIRE COMING THROUGH FLOOR. REPLACE ALL (6) OUTLETS WITH "LIGHT ALMOND DECORA". REPLACE ALL (3) SWITCHES WITH "LIGHT ALMOND MYSTRO WITH DIMMER". REPLACE ALL (6) RECESSED LIGHTS WITH "HALOGENA LIGHTS WITH WHITE TRIM". RELOCATE (2) OUTLETS TO NEW BUILT-IN INTERIORS.
- ADD (2) NEW WALL SCONCES AS SHOWN ON PLAN AND ELEVATION.
- PATCH OR REPAIR ANY CRACKS IN GYP. BRD. OR OTHER FAULTS.
- ALL OTHER FINISHES AND MATERIALS TO BE DETERMINED.

**PRELIMINARY**  
CONTRACTORS TO VERIFY ALL DIMENSIONS.  
FOR CONCEPT PURPOSES ONLY!



No.	Date	Revisions
3	11/12/10	REMOVED CLG FAN OPTION, ADDED TWO WALL SCONCES, EXPANDED NOTE #6, OUTLETS TO CABINET INTERIORS,
2	11/7/10	FIRST PROPOSAL
1	10/08/10	UDA-FAMILYRM

**J.D.W. DESIGNS**  
Suite 8-A  
45 Church Street  
Montclair, NJ 07042  
P:973.783.7701 ~ F:973.783.7702

**PROJECT**  
CLIENT RESIDENCE  
CLIENTVILLE, NEW JERSEY

**TITLE**  
FLOOR PLANS & ELEVATIONS  
MAIN LEVEL FAMILY ROOM

Date:	Job Number	Dwg. No.	Issue
10/08/10	JDP	00000	FR-100
Dwg. By:	JDP		
Scale:	AS NOTED		